

WJ-Series

TURBINE METERS



3" and 6" WJ Meters

APPLICATIONS

- Remote totalizing
- Pacing electronic metering pumps
- Cooling water monitoring
- Industrial fluid control
- Water/Wastewater treatment

Features

- Non-resettable mechanical totalizer
- 2, 3, 4, 6, 8" pipe sizes
- Optional pulse output
- Rugged construction
- Accurate and economical

WJ-Series turbine meters are dry-register mechanical totalizers that offer accurate, economical reading of high flows with low pressure loss. The horizontal-axis turbine drives a vertical shaft, which is magnetically coupled to the sealed register.

In addition to mechanical totalizing, registers can be equipped with magnetic pulse reed sensors well suited for remote totalizing, pacing of electronic metering pumps, and water treatment applications.

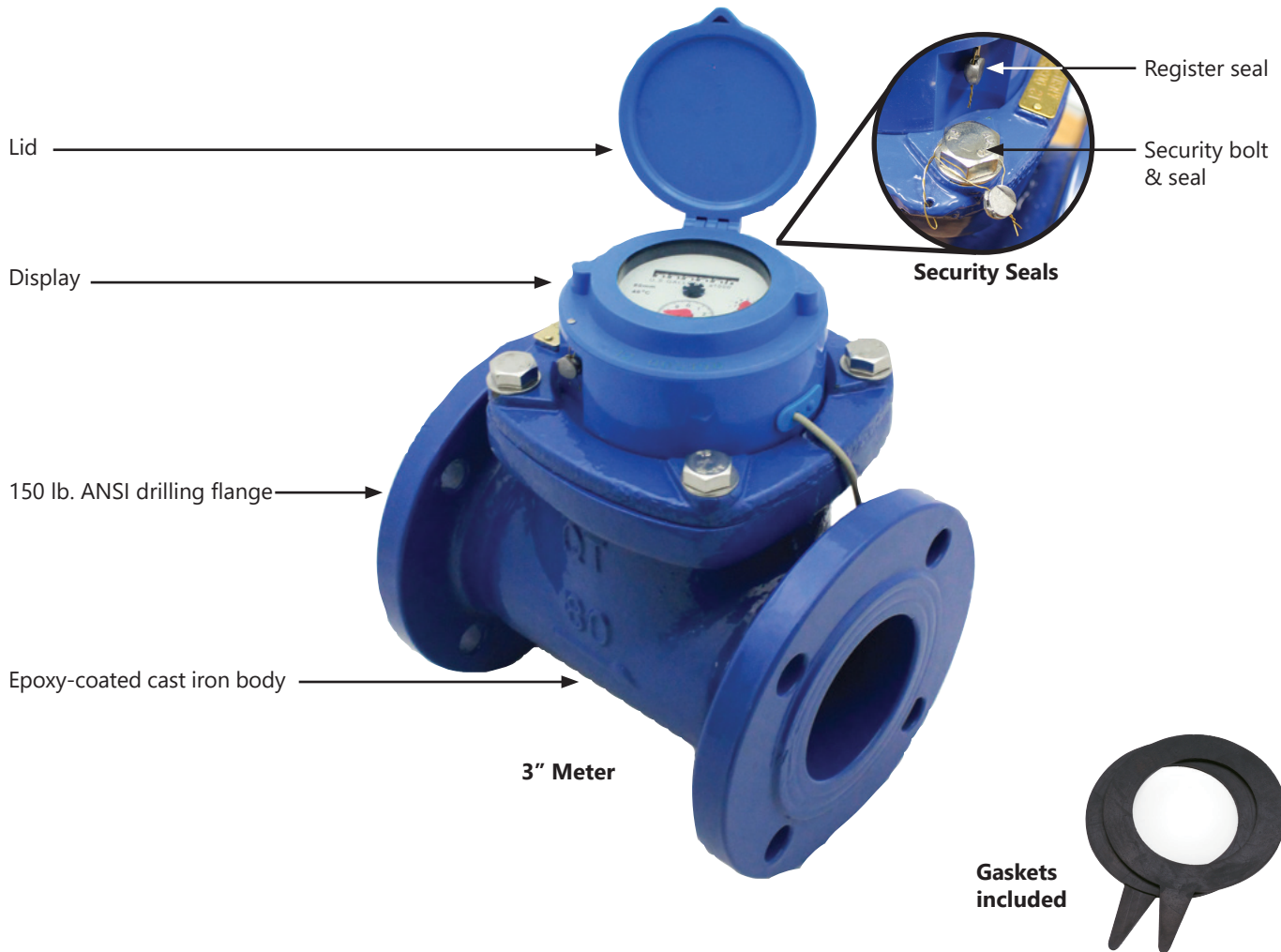
Bodies are manufactured of tough cast iron and epoxy-coated for protection. Tungsten steel shafts and jewel bearings further enhance the durability of these meters. Simple removal of the top flange brings out all parts for inspection, repair, or replacement. The meter has a tamper-evident seal to call attention to unauthorized access.

Compatible Seametrics controls include the PT35 pulse timer and the PS40 pulse splitter for running multiple pulse-responsive devices (e.g. pumps, counter timers and remote totalizers) with a single WJ meter.

Contact Your Supplier



Features



Specifications*

Materials	Meter Body	Cast iron, epoxy coating
	Register Plate	ABS plastic
	Drive Magnet	Alnico
	Turbine	Plastic
	Turbine Shafts	Tungsten steel
	Bearings	Jewel
	Flanges	150 lb ANSI drilling
	Maximum Pressure	150 psi (10 bar)
	Maximum Temperature	105° F (40° C)
Accuracy	Above Transition¹	± 2% of reading
	Below Transition¹	± 5% of reading
	Reed Switch	100 mA @ 24 Vac/dc

* Specifications subject to change. Please consult our website for current data. (seametrics.com)

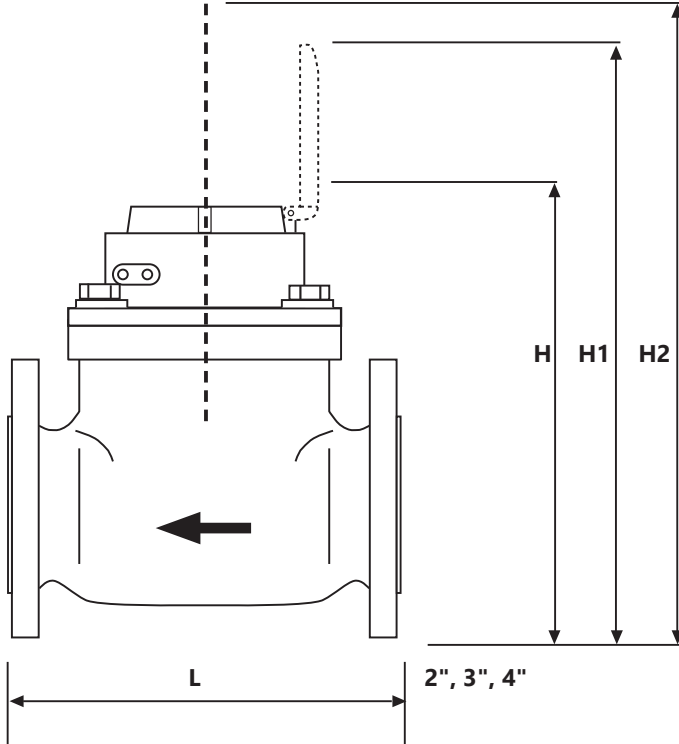
Note 1: See flow range table.

Flow Range (GPM)

	2"	3"	4"	6"	8"
Minimum	2	5.3	8	20	33
Max. Continuous	132	352	528	1320	2200
Transition²	13	35	53	132	220

Note 2: The flow rate at which accuracy changes from ± 2% of reading (above Transition) to ± 5% of reading (below Transition).

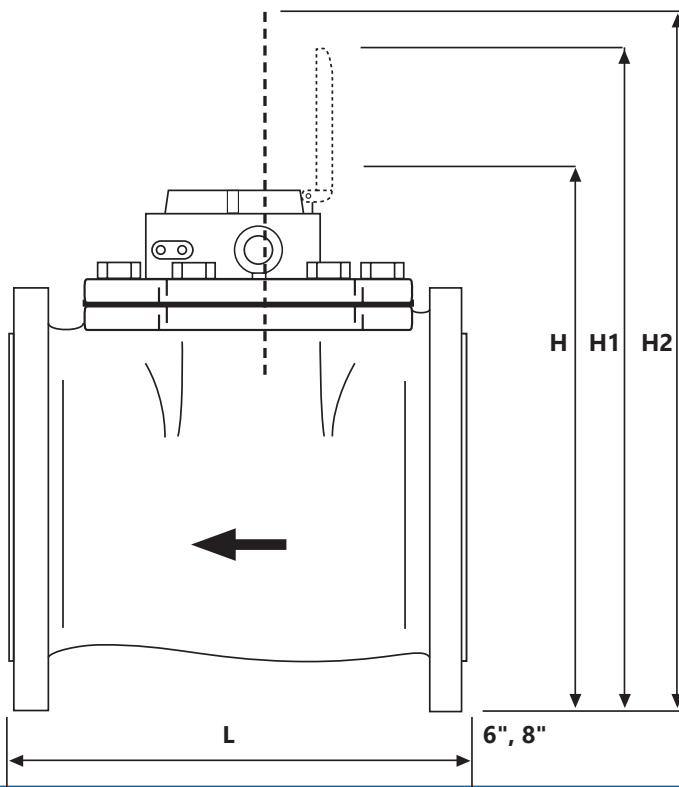
Dimensions



2", 3", 4" Dimensions

	2"	3"	4"
L	7.87" 19.99 cm	8.86" 22.5 cm	9.84" 24.99 cm
H	10.08" 25.6 cm	10.87" 27.61 cm	11.26" 28.60 cm
H1	12.91" 32.79 cm	13.70" 34.8 cm	14.09" 35.79 cm
H2	15.75" 40.0 cm	15.75" 40.0 cm	15.75" 40.0 cm
Wt.	26.5 lb 12.02 kg	35.3 lb 16.01 kg	39.7 lb 18.01 kg

*H1 = Lid clearance for reading display
H2 = Lid clearance for replacing turbine insert*

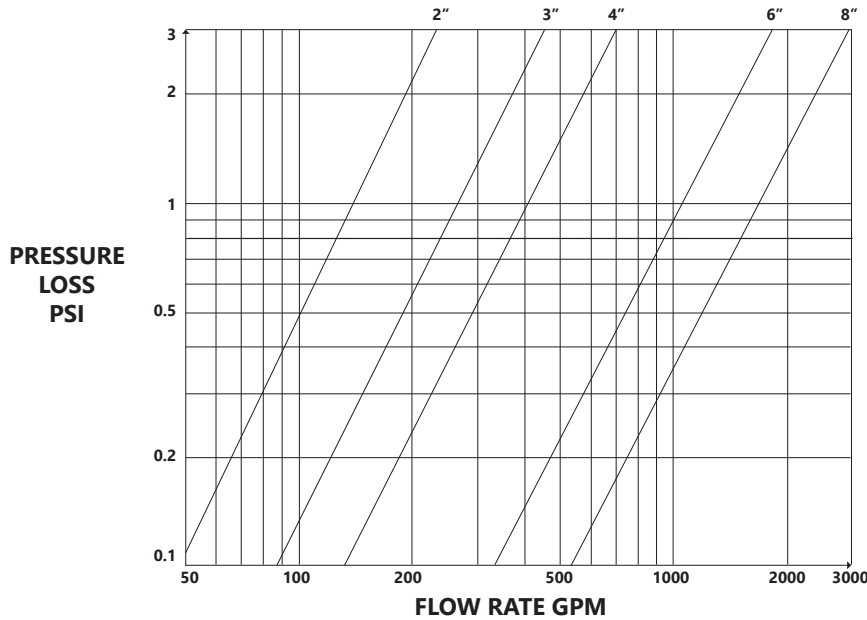


6", 8" Dimensions

	6"	8"
L	11.81" 30.0 cm	13.78" 35.0 cm
H	13.60" 34.54 cm	14.67" 37.26 cm
H1	16.44" 36.68 cm	17.50" 44.45 cm
H2	19.69" 50.01 cm	19.69" 50.01 cm
Wt.	92.6 lb 42.0 kg	141 lb 63.96 kg

*H1 = Lid clearance for reading display
H2 = Lid clearance for replacing turbine insert*

Pressure Loss



How to Order

MODEL	SIZE	OPTIONS	PULSE RATE <i>(Select with Option -17 Only)</i>								
WJ	2" = -200 3" = -300 4" = -400 6" = -600 8" = -800	Pulse Output/Reed Switch = -17 <i>(Select pulse rate at right)</i>	<table border="0"> <tr> <td>Meter Size</td> <td>Pulse Rate</td> </tr> <tr> <td>2"/3"/4"</td> <td>100 Gal/Pulse = 100 G</td> </tr> <tr> <td>2"/3"/4"/6"/8"</td> <td>1000 Gal/Pulse = 1,000 G</td> </tr> <tr> <td>6"/8"</td> <td>10,000 Gal/Pulse = 10,000 G</td> </tr> </table>	Meter Size	Pulse Rate	2"/3"/4"	100 Gal/Pulse = 100 G	2"/3"/4"/6"/8"	1000 Gal/Pulse = 1,000 G	6"/8"	10,000 Gal/Pulse = 10,000 G
Meter Size	Pulse Rate										
2"/3"/4"	100 Gal/Pulse = 100 G										
2"/3"/4"/6"/8"	1000 Gal/Pulse = 1,000 G										
6"/8"	10,000 Gal/Pulse = 10,000 G										
WJ											

ACCESSORIES
Pulse Timer = **PT35**
Pulse Splitter = **PS40**